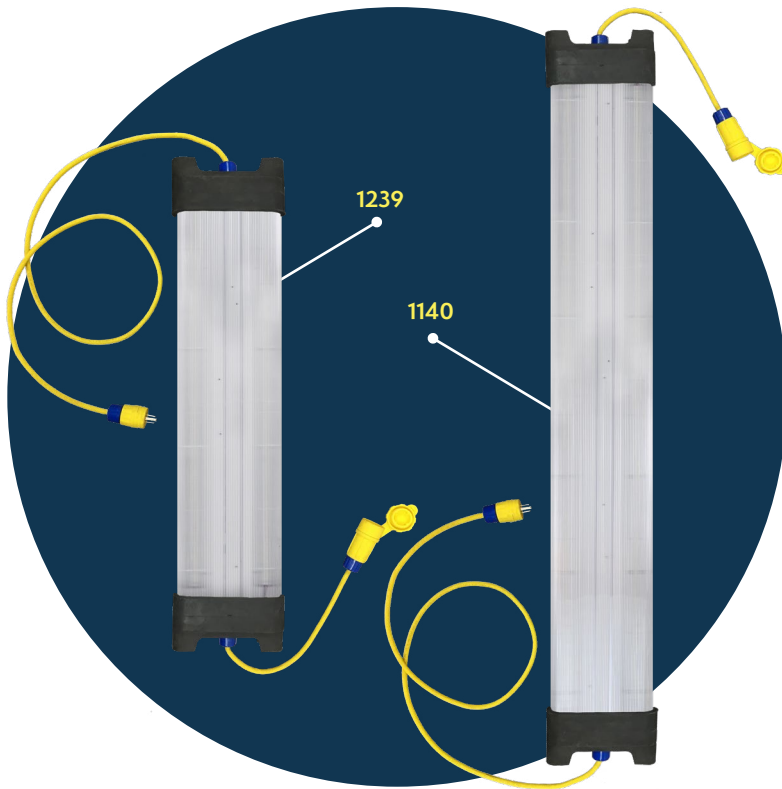


1239/1140 2 & 4' Linear LED Wide Area Fixtures

Jobsite Lighting



Standard Features:

- High efficient LED Array and Driver
- Available in 24" & 48" lengths, with 12,000 and 24,000 lumen outputs
- Prismatic wrap-around lens provides exceptional light distribution
- Robust design with impact resistant materials
- Fixture ends designed to prevent cable pinching
- Available 90-minute battery back-up for emergency egress
- 12-Volt DC version available for confined space, marine and vehicular applications
- Made in USA

Applications:

- Portable Task Lighting
- Tunnel Lighting
- Temporary High-Bay Lighting
- Stairwells
- Utility Maintenance
- Areas requiring Emergency Egress
- Sporting Events



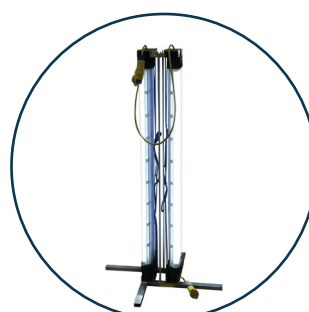
Unique Features:



Flexible web ceiling hanger.



Shatter resistant polycarbonate lens.

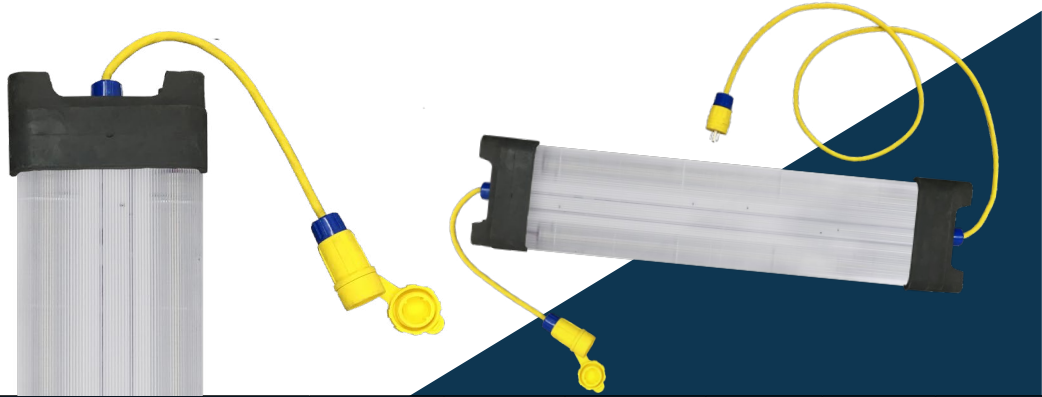


Optional floor stand. (Holds Two)



Durable indoor & outdoor construction.

1239 Selection Guide

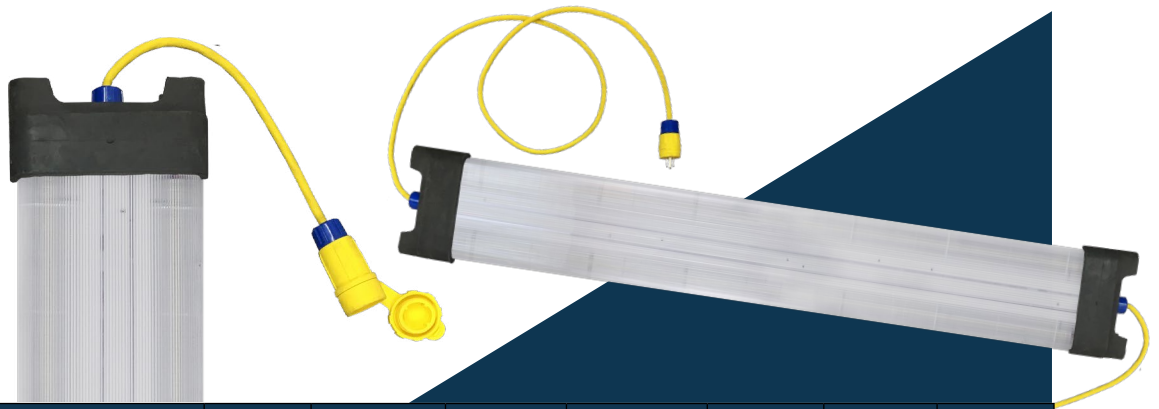


| | Part No. | Electrical Rating | Primary Cord Length (feet) | Secondary Cord Length (feet) | Primary Plug (NEMA) | Secondary Connector (NEMA) | Lumens | Color | Weight |
|---------------------------|-------------------|-------------------|----------------------------|------------------------------|---------------------|----------------------------|--------|-------|-----------|
| Standard LED Lighting | 1239-6-LED | 120VAC, .71A, 85W | 5 ft | None | 5-15 | None | 12100 | 4000K | 11.8 lbs. |
| | 1239-6F-LED* | 120VAC, .71A, 85W | 5 ft | .5 ft | 5-15 | 5-15 | 12100 | 4000K | 12.6 lbs. |
| | 1239-25-LED | 120VAC, .71A, 85W | 25 ft | None | 5-15 | None | 12100 | 4000K | 13.4 lbs. |
| | 1239-25F-LED* | 120VAC, .71A, 85W | 25 ft | .5 ft | 5-15 | 5-15 | 12100 | 4000K | 15.2 lbs. |
| Emergency Egress Lighting | 1239-6-LED-EL | 120VAC, .54A, 65W | 5 ft | None | 5-15 | None | 8500 | 4000K | 15.5 lbs. |
| | 1239-6F-LED-EL* | 120VAC, .71A, 85W | 5 ft | .5 ft | 5-15 | 5-15 | 8500 | 4000K | 16.4 lbs. |
| | 1239-25-LED-EL | 120VAC, .54A, 65W | 25 ft | None | 5-15 | None | 8500 | 4000K | 17.2 lbs. |
| | 1239-25F-LED-EL* | 120VAC, .54A, 65W | 25 ft | .5 ft | 5-15 | 5-15 | 8500 | 4000K | 19 lbs. |
| 12VAC, Low Voltage | 1239-6-LED-AC | 12VAC, 50W | 6 ft | None | CF | None | 7100 | 4000K | 15.25 lbs |
| | 1239-6F-LED-AC** | 12VAC, 50W | 6 ft | .5 ft | CF | CF | 7100 | 4000K | 15.25 lbs |
| | 1239-25-LED-AC | 12VAC, 50W | 25 ft | None | CF | None | 7100 | 4000K | 15.25 lbs |
| | 1239-25F-LED-AC** | 12VAC, 50W | 25 ft | .5 ft | CF | CF | 7100 | 4000K | 15.25 lbs |
| | 1239-50-LED-AC | 12VAC, 50W | 50 ft | None | CF | CF | 7100 | 4000K | 15.25 lbs |
| | 1239-50F-LED-AC** | 12VAC, 50W | 50 ft | .5 ft | CF | CF | 7100 | 4000K | 15.25 lbs |
| 12VDC, Low Voltage | 1239-6-LED-DC | 12VDC, 50W | 6 ft | None | CF | None | 7100 | 4000K | 15.25 lbs |
| | 1239-6F-LED-DC** | 12VDC, 50W | 6 ft | .5 ft | CF | CF | 7100 | 4000K | 15.25 lbs |
| | 1239-25-LED-DC | 12VDC, 50W | 25 ft | None | CF | None | 7100 | 4000K | 15.25 lbs |
| | 1239-25F-LED-DC** | 12VDC, 50W | 25 ft | .5 ft | CF | CF | 7100 | 4000K | 15.25 lbs |
| | 1239-50-LED-DC | 12VDC, 50W | 50 ft | None | CF | CF | 7100 | 4000K | 15.25 lbs |
| | 1239-50F-LED-DC** | 12VDC, 50W | 50 ft | .5 ft | CF | CF | 7100 | 4000K | 15.25 lbs |

* For versions designed for feed-thru applications, maximum 12A or 1500W electrical rating.

**For low voltage versions designed for feed-thru applications, maximum of 3 LV fixtures or 300W.

1140 Selection Guide

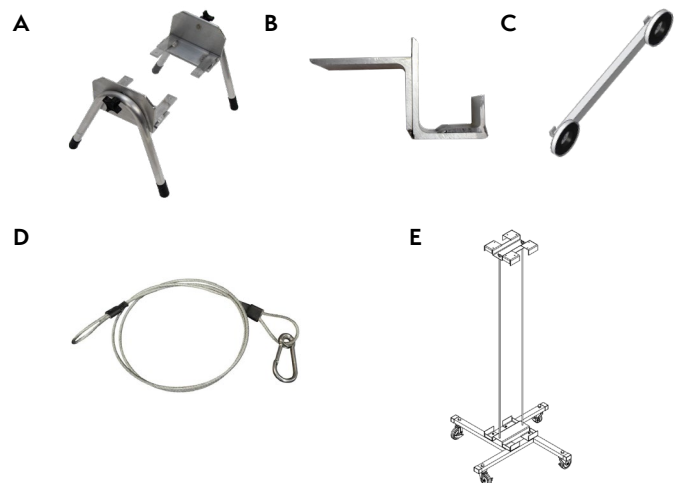


| | Part No. | Electrical Rating | Primary Cord Length (feet) | Secondary Cord Length (feet) | Primary Plug (NEMA) | Secondary Connector (NEMA) | Lumens | Color | Weight |
|---------------------------|-------------------------|---------------------|----------------------------|------------------------------|---------------------|----------------------------|--------|-------|-----------|
| Standard LED Lighting | 1140-4-LED | 120VAC, 1,46A, 175W | 5 ft. | None | 5-15 | None | 23,900 | 4000K | 20.7 lbs. |
| | 1140-4F-LED* | 120VAC, 1,46A, 175W | 5 ft. | .5 ft. | 5-15 | 5-15 | 23,900 | 4000K | 21.5 lbs. |
| | 1140-25-LED | 120VAC, 1,46A, 175W | 25 ft. | None | 5-15 | None | 23,900 | 4000K | 22.3 lbs. |
| | 1140-25F-LED* | 120VAC, 1,46A, 175W | 25 ft. | .5 ft. | 5-15 | 5-15 | 23,900 | 4000K | 24.1 lbs. |
| Emergency Egress Lighting | 1140-4-LED-EL | 120VAC, 1,08A, 130W | 5 ft. | None | 5-15 | None | 16,800 | 4000K | 24.4 lbs. |
| | 1140-4F-LED-EL* | 120VAC, 1,08A, 130W | 5 ft. | .5 ft. | 5-15 | 5-15 | 16,800 | 4000K | 25.3 lbs. |
| | 1140-25-LED-EL | 120VAC, 1,08A, 130W | 25 ft. | None | 5-15 | None | 16,800 | 4000K | 26.1 lbs. |
| | 1140-25F-LED-EL* | 120VAC, 1,08A, 130W | 25 ft. | .5 ft. | 5-15 | 5-15 | 16,800 | 4000K | 27.9 lbs. |

* For versions designed for feed-thru applications, maximum 12A or 1500W electrical rating.

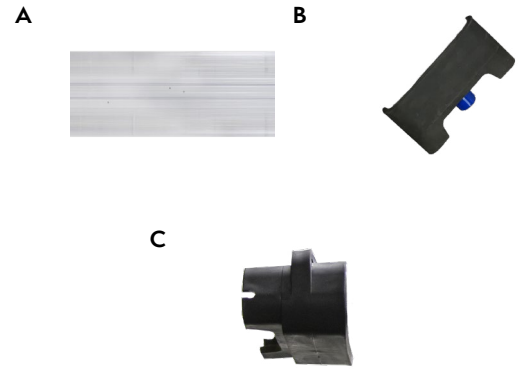
1239/1140 Accessories:

| Part Number | Description | Image Reference |
|-----------------|---|-----------------|
| FS-PIVOT | Floor stand, pivot, 1239 series wide area fixtures. | A |
| FS-FOOT | Floor stand, single foot, 1239 series wide area fixtures. | B |
| 1239-MAG | Magnet mount, 1239 series wide area fixtures. | C |
| 1239-LS | Steel lanyard strap, 1239 series wide area fixture. | D |
| 1140-MAG | Magnet mount, 1140 series wide area fixtures. | C |
| 1140-LS | Steel lanyard strap, 1140 series wide area fixture. | D |
| 1140-FS | Portable floor stand for 2, 1140 series wide area fixtures. | E |

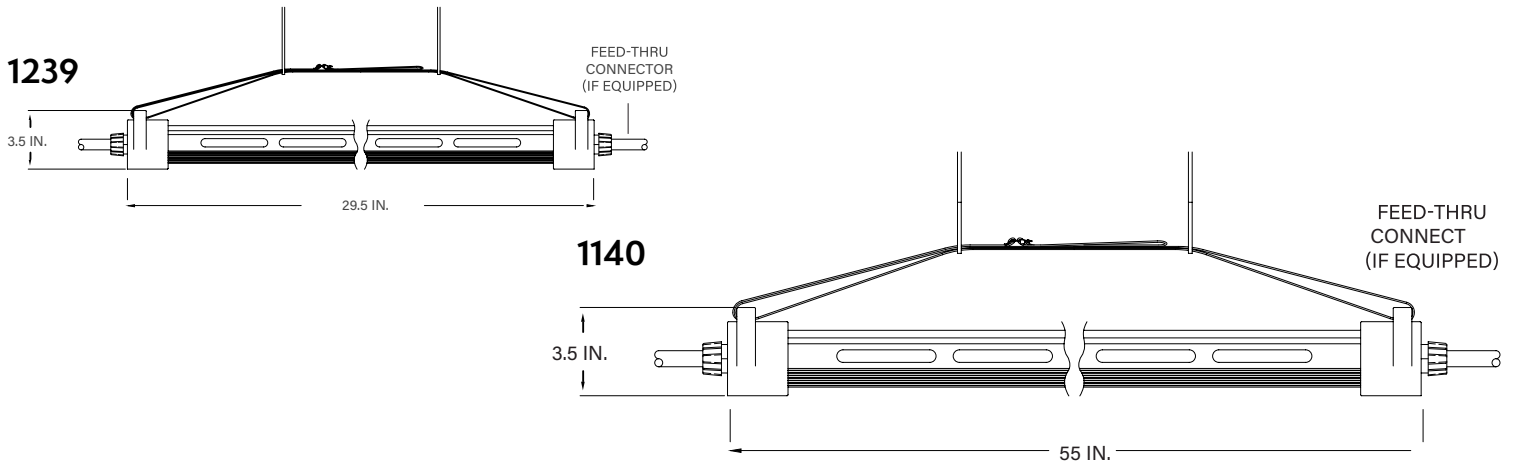


1239/1140 Replacement Parts:

| Part Number | Description | Image Reference |
|-------------|---|-----------------|
| 1239-TS | Tube Shield | A |
| 1239-P-BLK | End cap with cord grip bushing. It can be used for the primary and secondary sides with feed-thru | B |
| 1239-S-BLK | End cap without cord grip bushing. It can be used for the secondary side of base units only | C |
| 1140-TS | Tube Shield | A |
| 1140-P-BLK | End cap with cord grip bushing. Used for primary and secondary sides with feed-thru | B |
| 1140-S-BLK | End cap without cord grip bushing. Used for secondary side of base units only | C |



Product Dimensions:

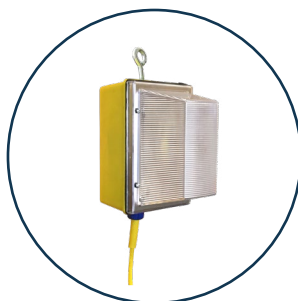


Related Products:

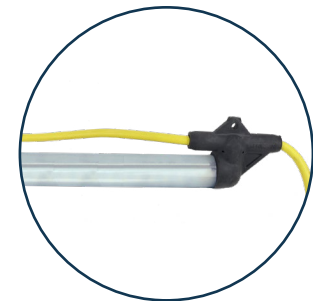
Click on an image or scan the QR code for more product information.



[1000 Series
LED Industrial Work Light](#)



[1001 Series
LED Industrial Work Light](#)



[SL Series
LED Stringlight](#)



Ericson Manufacturing Company
4323 Hamann Parkway
Willoughby, OH 44094, USA



1-800-ERICSON
info@ericson.com

L1000871D
Rev: 03/06/25